

INTERNATIONAL STANDARD

NORME INTERNATIONALE

BASIC EMC PUBLICATION

PUBLICATION FONDAMENTALE EN CEM

**Electromagnetic compatibility (EMC) –
Part 4-27: Testing and measurement techniques – Unbalance, immunity test for
equipment with input current not exceeding 16 A per phase**

**Compatibilité électromagnétique (CEM) –
Partie 4-27: Techniques d'essai et de mesure – Essai d'immunité aux
déséquilibres pour des matériels avec un courant appelé n'excédant pas 16 A
par phase**



THIS PUBLICATION IS COPYRIGHT PROTECTED

Copyright © 2009 IEC, Geneva, Switzerland

All rights reserved. Unless otherwise specified, no part of this publication may be reproduced or utilized in any form or by any means, electronic or mechanical, including photocopying and microfilm, without permission in writing from either IEC or IEC's member National Committee in the country of the requester.

If you have any questions about IEC copyright or have an enquiry about obtaining additional rights to this publication, please contact the address below or your local IEC member National Committee for further information.

Droits de reproduction réservés. Sauf indication contraire, aucune partie de cette publication ne peut être reproduite ni utilisée sous quelque forme que ce soit et par aucun procédé, électronique ou mécanique, y compris la photocopie et les microfilms, sans l'accord écrit de la CEI ou du Comité national de la CEI du pays du demandeur.

Si vous avez des questions sur le copyright de la CEI ou si vous désirez obtenir des droits supplémentaires sur cette publication, utilisez les coordonnées ci-après ou contactez le Comité national de la CEI de votre pays de résidence.

IEC Central Office
3, rue de Varembe
CH-1211 Geneva 20
Switzerland
Email: inmail@iec.ch
Web: www.iec.ch

About the IEC

The International Electrotechnical Commission (IEC) is the leading global organization that prepares and publishes International Standards for all electrical, electronic and related technologies.

About IEC publications

The technical content of IEC publications is kept under constant review by the IEC. Please make sure that you have the latest edition, a corrigenda or an amendment might have been published.

- Catalogue of IEC publications: www.iec.ch/searchpub

The IEC on-line Catalogue enables you to search by a variety of criteria (reference number, text, technical committee,...). It also gives information on projects, withdrawn and replaced publications.

- IEC Just Published: www.iec.ch/online_news/justpub

Stay up to date on all new IEC publications. Just Published details twice a month all new publications released. Available on-line and also by email.

- Electropedia: www.electropedia.org

The world's leading online dictionary of electronic and electrical terms containing more than 20 000 terms and definitions in English and French, with equivalent terms in additional languages. Also known as the International Electrotechnical Vocabulary online.

- Customer Service Centre: www.iec.ch/webstore/custserv

If you wish to give us your feedback on this publication or need further assistance, please visit the Customer Service Centre FAQ or contact us:

Email: csc@iec.ch
Tel.: +41 22 919 02 11
Fax: +41 22 919 03 00

A propos de la CEI

La Commission Electrotechnique Internationale (CEI) est la première organisation mondiale qui élabore et publie des normes internationales pour tout ce qui a trait à l'électricité, à l'électronique et aux technologies apparentées.

A propos des publications CEI

Le contenu technique des publications de la CEI est constamment revu. Veuillez vous assurer que vous possédez l'édition la plus récente, un corrigendum ou amendement peut avoir été publié.

- Catalogue des publications de la CEI: www.iec.ch/searchpub/cur_fut-f.htm

Le Catalogue en-ligne de la CEI vous permet d'effectuer des recherches en utilisant différents critères (numéro de référence, texte, comité d'études,...). Il donne aussi des informations sur les projets et les publications retirées ou remplacées.

- Just Published CEI: www.iec.ch/online_news/justpub

Restez informé sur les nouvelles publications de la CEI. Just Published détaille deux fois par mois les nouvelles publications parues. Disponible en-ligne et aussi par email.

- Electropedia: www.electropedia.org

Le premier dictionnaire en ligne au monde de termes électroniques et électriques. Il contient plus de 20 000 termes et définitions en anglais et en français, ainsi que les termes équivalents dans les langues additionnelles. Egalement appelé Vocabulaire Electrotechnique International en ligne.

- Service Clients: www.iec.ch/webstore/custserv/custserv_entry-f.htm

Si vous désirez nous donner des commentaires sur cette publication ou si vous avez des questions, visitez le FAQ du Service clients ou contactez-nous:

Email: csc@iec.ch
Tél.: +41 22 919 02 11
Fax: +41 22 919 03 00



IEC 61000-4-27

Edition 1.1 2009-04

INTERNATIONAL STANDARD

NORME INTERNATIONALE

BASIC EMC PUBLICATION
PUBLICATION FONDAMENTALE EN CEM

**Electromagnetic compatibility (EMC) –
Part 4-27: Testing and measurement techniques – Unbalance, immunity test for
equipment with input current not exceeding 16 A per phase**

**Compatibilité électromagnétique (CEM) –
Partie 4-27: Techniques d'essai et de mesure – Essai d'immunité aux
déséquilibres pour des matériels avec un courant appelé n'excédant pas 16 A
par phase**

INTERNATIONAL
ELECTROTECHNICAL
COMMISSION

COMMISSION
ELECTROTECHNIQUE
INTERNATIONALE

PRICE CODE
CODE PRIX

CE

ICS 33.100.20

ISBN 2-8318-1034-70

CONTENTS

FOREWORD.....	3
INTRODUCTION.....	5
1 Scope and object.....	6
2 Normative references.....	6
3 Definitions.....	7
4 General.....	7
5 Test levels.....	7
6 Test equipment.....	8
6.1 Test generators.....	8
6.2 Verification of the characteristics of the test generators.....	9
7 Test set-up.....	9
8 Test procedures.....	10
8.1 Laboratory reference conditions.....	10
8.2 Execution of the test.....	10
9 Evaluation of test results.....	11
10 Test report.....	11
Annex A (informative) Sources, effects and measurement of unbalance.....	14
Annex B (informative) Calculation of the degree of unbalance.....	17
Annex C (informative) Information on test levels.....	18
Annex D (informative) Electromagnetic environment classes.....	19
Bibliography.....	20
Figure 1 – Example of unbalanced three-phase supply voltage (Test 3).....	12
Figure 2 – Succession of three unbalance sequences of the test (the voltages U_a , U_b , U_c rotate).....	12
Figure 3 – Schematic diagram of test instrumentation for unbalance.....	13
Figure 4 – Example of test generator verification load.....	9
Figure A.1 – Unbalanced voltage vectors.....	15
Figure A.2 – Components of the unbalanced vectors in figure A.1.....	15
Table 1 – Test levels.....	8
Table 2 – Characteristics of the generator.....	8

INTERNATIONAL ELECTROTECHNICAL COMMISSION

ELECTROMAGNETIC COMPATIBILITY (EMC) –**Part 4-27: Testing and measurement techniques –
Unbalance, immunity test for equipment with input current
not exceeding 16 A per phase**

FOREWORD

- 1) The International Electrotechnical Commission (IEC) is a worldwide organization for standardization comprising all national electrotechnical committees (IEC National Committees). The object of IEC is to promote international co-operation on all questions concerning standardization in the electrical and electronic fields. To this end and in addition to other activities, IEC publishes International Standards, Technical Specifications, Technical Reports, Publicly Available Specifications (PAS) and Guides (hereafter referred to as "IEC Publication(s)"). Their preparation is entrusted to technical committees; any IEC National Committee interested in the subject dealt with may participate in this preparatory work. International, governmental and non-governmental organizations liaising with the IEC also participate in this preparation. IEC collaborates closely with the International Organization for Standardization (ISO) in accordance with conditions determined by agreement between the two organizations.
- 2) The formal decisions or agreements of IEC on technical matters express, as nearly as possible, an international consensus of opinion on the relevant subjects since each technical committee has representation from all interested IEC National Committees.
- 3) IEC Publications have the form of recommendations for international use and are accepted by IEC National Committees in that sense. While all reasonable efforts are made to ensure that the technical content of IEC Publications is accurate, IEC cannot be held responsible for the way in which they are used or for any misinterpretation by any end user.
- 4) In order to promote international uniformity, IEC National Committees undertake to apply IEC Publications transparently to the maximum extent possible in their national and regional publications. Any divergence between any IEC Publication and the corresponding national or regional publication shall be clearly indicated in the latter.
- 5) IEC provides no marking procedure to indicate its approval and cannot be rendered responsible for any equipment declared to be in conformity with an IEC Publication.
- 6) All users should ensure that they have the latest edition of this publication.
- 7) No liability shall attach to IEC or its directors, employees, servants or agents including individual experts and members of its technical committees and IEC National Committees for any personal injury, property damage or other damage of any nature whatsoever, whether direct or indirect, or for costs (including legal fees) and expenses arising out of the publication, use of, or reliance upon, this IEC Publication or any other IEC Publications.
- 8) Attention is drawn to the Normative references cited in this publication. Use of the referenced publications is indispensable for the correct application of this publication.
- 9) Attention is drawn to the possibility that some of the elements of this IEC Publication may be the subject of patent rights. IEC shall not be held responsible for identifying any or all such patent rights.

International Standard IEC 61000-4-27 has been prepared by subcommittee 77A: Low-frequency phenomena, of IEC technical committee 77: Electromagnetic compatibility.

It forms part 4-27 of IEC 61000. It has the status of basic EMC publication in accordance with IEC Guide 107.

This consolidated version of IEC 61000-4-27 consists of the first edition (2000) [documents 77A/308/FDIS and 77A/314/RVD] and its amendment 1 (2009) [documents 77A/672/FDIS and 77A/675/RVD].

The technical content is therefore identical to the base edition and its amendment and has been prepared for user convenience.

It bears the edition number 1.1.

A vertical line in the margin shows where the base publication has been modified by amendment 1.

Annexes A, B, C and D are for information only.

The committee has decided that the contents of the base publication and its amendments will remain unchanged until the maintenance result date indicated on the IEC web site under "<http://webstore.iec.ch>" in the data related to the specific publication. At this date, the publication will be

- reconfirmed,
- withdrawn,
- replaced by a revised edition, or
- amended.

INTRODUCTION

This standard is part of IEC 61000 series, according to the following structure:

Part 1: General

General considerations (introduction, fundamental principles)

Definitions, terminology

Part 2: Environment

Description of the environment

Classification of the environment

Compatibility levels

Part 3: Limits

Emission limits

Immunity limits (in so far as they do not fall under the responsibility of product committees)

Part 4: Testing and measurement techniques

Measurement techniques

Testing techniques

Part 5: Installation and mitigation guidelines

Installation guidelines

Mitigation methods and devices

Part 6: Generic standards

Part 9: Miscellaneous

Each part is further subdivided into several parts, published either as International Standards or as technical specifications or technical reports, some of which have already been published as sections. Others will be published with the part number followed by a dash and completed by a second number identifying the subdivision (example: 61000-6-1).

ELECTROMAGNETIC COMPATIBILITY (EMC) –

Part 4-27: Testing and measurement techniques – Unbalance, immunity test for equipment with input current not exceeding 16 A per phase

1 Scope and object

This part of IEC 61000 is a basic EMC (electromagnetic compatibility) publication. It considers immunity tests for electric and/or electronic equipment (apparatus and system) in its electromagnetic environment. Only conducted phenomena are considered, including immunity tests for equipment connected to public and industrial networks.

The object of this standard is to establish a reference for evaluating the immunity of electrical and electronic equipment when subjected to unbalanced power supply voltage.

This standard applies to 50 Hz/60 Hz three-phase powered electrical and/or electronic equipment with rated line current up to 16 A per phase.

This standard does not apply to equipment with three-phase plus neutral connection if that equipment operates as a group of single-phase loads connected between phase and neutral.

This standard does not apply to electrical and/or electronic equipment connected to a.c. 400 Hz distribution networks.

This standard does not include tests for the zero-sequence unbalance factor.

The immunity test levels required for a specific electromagnetic environment together with performance criteria are indicated in the product, product family or generic standards as applicable. This immunity test should be included in product, product family or generic standards when equipment is likely to show reduced performance or function when exposed to a supply voltage with voltage unbalance.

The verification of the reliability of electrical components (capacitors, motors, etc.) and long-term effects (greater than a few minutes) is not considered in this standard.

2 Normative references

The following normative documents contain provisions which, through reference in this text, constitute provisions of this part of IEC 61000. For dated references, subsequent amendments to, or revisions of, any of these publications do not apply. However, parties to agreements based on this part of IEC 61000 are encouraged to investigate the possibility of applying the most recent editions of the normative documents indicated below. For undated references, the latest edition of the normative document referred to applies. Members of IEC and ISO maintain registers of currently valid International Standards.

IEC 60050(161), *International Electrotechnical Vocabulary (IEV) – Chapter 161: Electromagnetic compatibility*

IEC 61000-2-4, *Electromagnetic compatibility (EMC) – Part 2: Environment – Section 4: Compatibility levels in industrial plants for low-frequency conducted disturbances*

3 Definitions

For the purposes of this part of IEC 61000, the following definitions apply.

3.1

immunity (to a disturbance)

ability of a device, equipment or system to perform without degradation in the presence of an electromagnetic disturbance
[IEV 161-01-20]

3.2

voltage unbalance

in a polyphase system, condition in which the r.m.s. values of the phase voltages or the phase angles between consecutive phases are not all equal
[IEV 161-08-09]

3.3

unbalance factor k_{u2} (%)

ratio of the negative sequence component to the positive sequence component measured at mains frequency (50 Hz or 60 Hz) as defined by the method of symmetrical components

$$k_{u2} = 100 \% (U_2 / U_1) \text{ (negative-sequence voltage/positive-sequence voltage)}$$

NOTE The negative-sequence voltages in a network mainly result from the negative currents of unbalanced loads flowing in the network.

3.4

malfunction

termination of the ability of an equipment to carry out intended functions or the execution of unintended functions by the equipment

4 General

Three-phase electrical and electronic equipment may be affected by voltage unbalance. Annex A describes the sources, effects and measurement of this disturbance.

Unbalance is caused by either voltage amplitude or phase-shift variations. A formula for the calculation of the unbalance factor, based upon these parameters, is given in annex B.

The purpose of the test is to investigate the influence of unbalance in a three-phase voltage system on equipment which may be sensitive to this disturbance, which could cause:

- overcurrents in a.c. rotating machines;
- generation of non-characteristic harmonics in electronic power converters;
- synchronization problems or control errors in the control part of electrical equipment (see annex A).

5 Test levels

The equipment under test (EUT) is set up at a steady mains voltage and is then subjected to unbalance sequences according to figure 2.

Table 1 specifies the test levels which are derived as explained in annex C.

The duration of the unbalance test, specified between 0,1 s to 60 s, can be taken as a general guide to study short-term effects.

Table 1 – Test levels

Test number	Test level Class 1	Test level for Class 2					Test level for Class 3					Test level for Class X
		Phase	Amplitude % U_N	Angle °	k_{u2} %	Time s	Phase	Amplitude % U_N	Angle °	k_{u2} %	Time s	
Test 1	No test required	U_a	100	0°	6	30	U_a	100	0°	8	60	
		U_b	95,2	125°			U_b	93,5	127°			
		U_c	90	240°			U_c	87	240°			
Test 2		U_a	100	0°	13	15	U_a	100	0°	17	15	
		U_b	90	131°			U_b	87	134°			
		U_c	80	239°			U_c	74	238°			
Test 3		U_a	110	0°	25	0,1	U_a	110	0°	25	2	
		U_b	66	139°			U_b	66	139°			
		U_c	71	235°			U_c	71	235°			

NOTE 1 U_N is the nominal voltage
 NOTE 2 U_b is lagging against U_a , and U_c is leading against U_a .

Tests are respectively specified for equipment in relation to levels 2 and 3 in IEC 61000-2-4.

The product committee may specify any test level; however, for equipment connected to public supply systems, it is recommended that the levels should not be lower than those defined for class 2.

6 Test equipment

6.1 Test generators

The generator shall have provisions to prevent the emission of disturbances which, if injected in the power supply network, may influence the test results.

The output voltage shall be adjusted to $\pm 1\%$ of U_N and the phase to $\pm 0,3^\circ$.

Table 2 – Characteristics of the generator

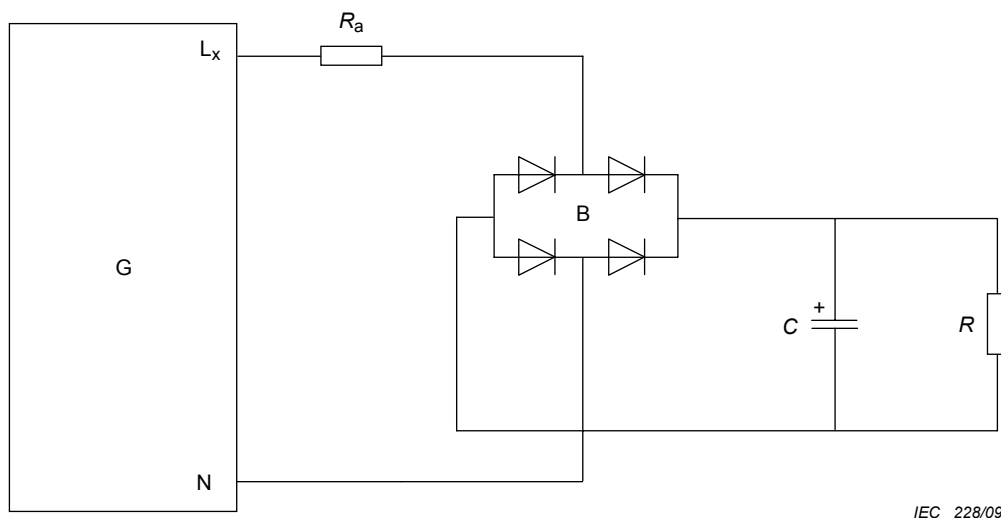
Characteristic	Performance specification
Output voltage capability	$U_N +15, -40 \%$
Output voltage accuracy	$\pm 2 \%$ of U_N .
Output current capability	Sufficient to supply the EUT under all test conditions
Overshoot/undershoot of the actual voltage, generator loaded with 100 Ω resistive load	Less than 5 % of the change in voltage
Voltage rise (and fall time) during voltage changes, generator loaded with 100 Ω resistive load	1 μs to 5 μs
Total harmonic distortion of the output voltage	Less than 3 %
Phase shifting	0°, 120° and 240° $\pm 30^\circ$
Phase accuracy	1° between any two phases
Frequency accuracy	0,5 % of f_1 (50 Hz or 60 Hz)

6.2 Verification of the characteristics of the test generators

It is recognized that there is a wide range of EUTs and that consequently test generators with different output power capabilities may be used, as required.

The test generator shall be verified that it complies with the characteristics and specifications listed in Table 2. Performance of the test generator shall be verified with resistive loads drawing an rms current of no more than the output capability of the generator.

In addition, the generator's output current capability shall be verified as being able to provide a crest factor of at least 3 when U_N is applied to a single phase load drawing an rms current of no more than the output capability of the generator. Each output phase of the generator shall be verified in turn. An example of a suitable 230V/16A verification load is given in Figure 4.



Components

G	Test generator
B	Bridge rectifier
C	11 000 μ F \pm 20 % electrolytic capacitor
R	35 Ω \pm 1 % resistor
R _a	Additional resistor

NOTE R_a shall be selected so that the total series resistance (sum of the additional resistor R_a, the wiring resistance R_{wire}, the internal resistance of two conducting diodes R_{diodes}, and the internal resistance of the capacitor R_C) is 92 m Ω (\pm 10 %).

Figure 4 – Example of test generator verification load

7 Test set-up

The test shall be performed with the EUT connected to the test generator with a supply cable as specified by the manufacturer. If no cable length is specified, it shall be the shortest possible length adapted to the EUT. The length shall be reported in the test report.

Figure 3 shows a schematic drawing for the generation of voltage unbalance (amplitude or phase change) using a generator with power amplifier.

Generators with transformers and switches need to have variable transformers on at least two phases.

The ports of the EUT shall be connected to appropriate peripherals as defined by the manufacturer. If appropriate peripherals are not available, they may be simulated.

8 Test procedures

8.1 Laboratory reference conditions

In order to minimize the impact of environmental parameters on test results, the tests shall be carried out in climatic and electromagnetic reference conditions as specified in 8.1.1 and 8.1.2.

8.1.1 Climatic conditions

Unless otherwise specified by the committee responsible for the generic or product standard, the climatic conditions in the laboratory shall be within any limits specified for the operation of the EUT and the test equipment by their respective manufacturers.

Tests shall not be performed if the relative humidity is so high as to cause condensation on the EUT or the test equipment.

NOTE Where it is considered that there is sufficient evidence to demonstrate that the effects of the phenomenon covered by this standard are influenced by climatic conditions, this should be brought to the attention of the committee responsible for this standard.

8.1.2 Electromagnetic conditions

The electromagnetic conditions of the laboratory shall not influence the test results.

8.2 Execution of the test

The EUT shall be configured for its normal operating conditions.

The tests shall be performed according to a test plan that shall specify

- test number (see table 1);
- test level;
- test duration;
- ports to which the test shall be applied;
- representative operating conditions of the EUT;
- auxiliary equipment.

The power supply, signals and other functional electrical quantities shall be applied within their rated range. If the actual operating signal sources are not available, they may be simulated.

For each test level, a succession of at least three unbalance sequences shall be applied, with an interval of at least 3 min between each (see figure 2).

The applied test levels shall be rotated as follows:

First sequence: U_a to L_1 , U_b to L_2 , U_c to L_3 ;

Second sequence: U_a to L_2 , U_b to L_3 , U_c to L_1 ;

Third sequence: U_a to L_3 , U_b to L_1 , U_c to L_2 .

where

U_a , U_b and U_c (see table 1) are the voltages of the generator and

L_1 , L_2 and L_3 are the inputs of the EUT.

Changes in supply voltage shall occur at zero crossings of U_a . The output impedance of the test generator shall be low in steady state and during transition periods.

For each test, any degradation of performance shall be recorded. The monitoring equipment should be capable of displaying the status of the operational mode of the EUT during and after the tests. After each group of tests a full functional check shall be performed.

9 Evaluation of test results

The test results shall be classified in terms of the loss of function or degradation of performance of the equipment under test, relative to a performance level defined by its manufacturer or the requestor of the test, or agreed between the manufacturer and the purchaser of the product. The recommended classification is as follows:

- a) normal performance within limits specified by the manufacturer, requestor or purchaser;
- b) temporary loss of function or degradation of performance which ceases after the disturbance ceases, and from which the equipment under test recovers its normal performance, without operator intervention;
- c) temporary loss of function or degradation of performance, the correction of which requires operator intervention;
- d) loss of function or degradation of performance which is not recoverable, owing to damage to hardware or software, or loss of data.

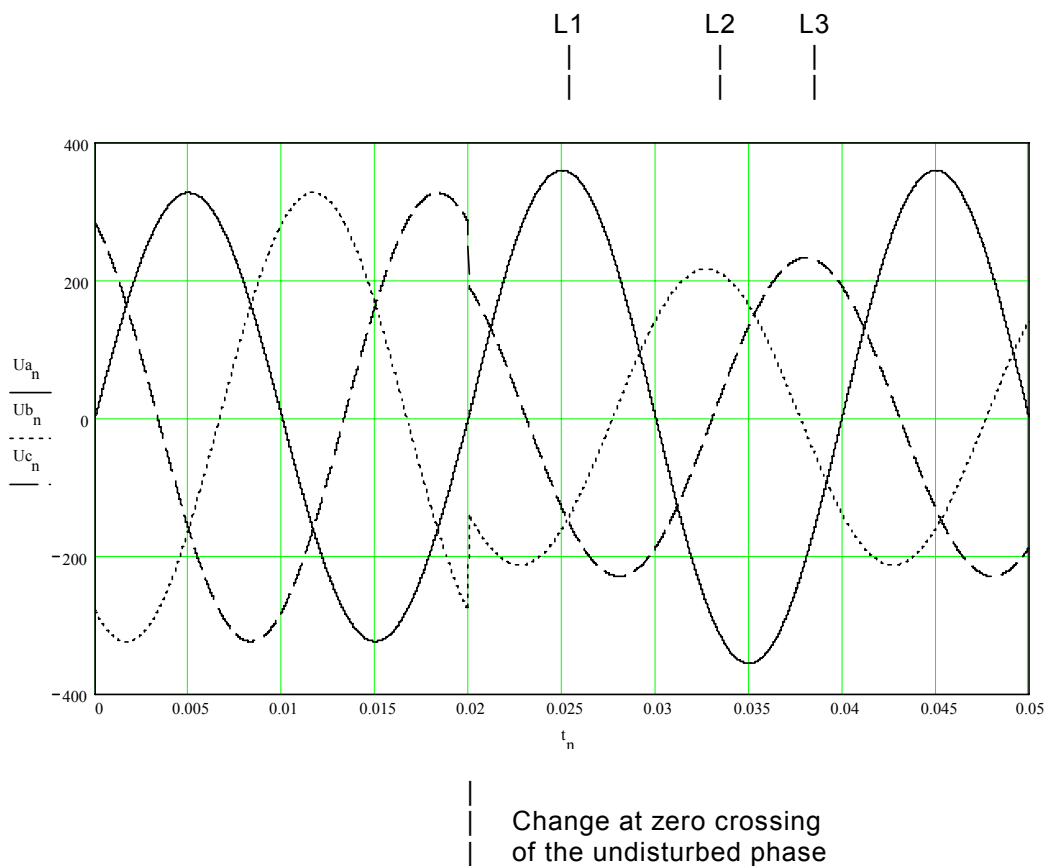
The manufacturer's specification may define effects on the EUT which may be considered insignificant, and therefore acceptable.

This classification may be used as a guide in formulating performance criteria, by committees responsible for generic, product and product-family standards, or as a framework for the agreement on performance criteria between the manufacturer and the purchaser, for example where no suitable generic, product or product-family standard exists.

10 Test report

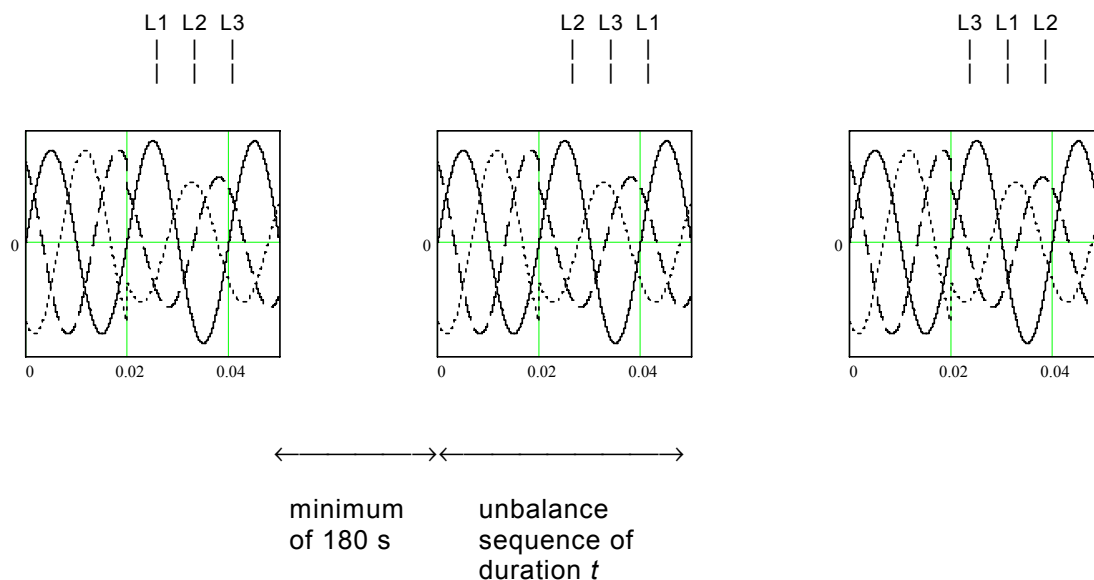
The test report shall contain all the information necessary to reproduce the test. In particular, the following shall be recorded:

- the items specified in the test plan required by clause 8 of this standard;
- identification of the EUT and any associated equipment, e.g. brand name, product type, serial number;
- identification of the test equipment, e.g. brand name, product type, serial number;
- any special environmental conditions in which the test was performed, e.g. shielded enclosure;
- any specific conditions necessary to enable the test to be performed;
- performance level defined by the manufacturer, requestor or purchaser;
- performance criterion specified in the generic, product or product-family standard;
- any effects on the EUT observed during or after the application of the test disturbance, and the duration for which these effects persist;
- the rationale for the pass/fail decision (based on the performance criterion specified in the generic, product or product-family standard, or agreed between the manufacturer and the purchaser);
- any specific conditions of use, for example cable length or type, shielding or grounding, or EUT operating conditions, which are required to achieve compliance.



IEC 1096/2000

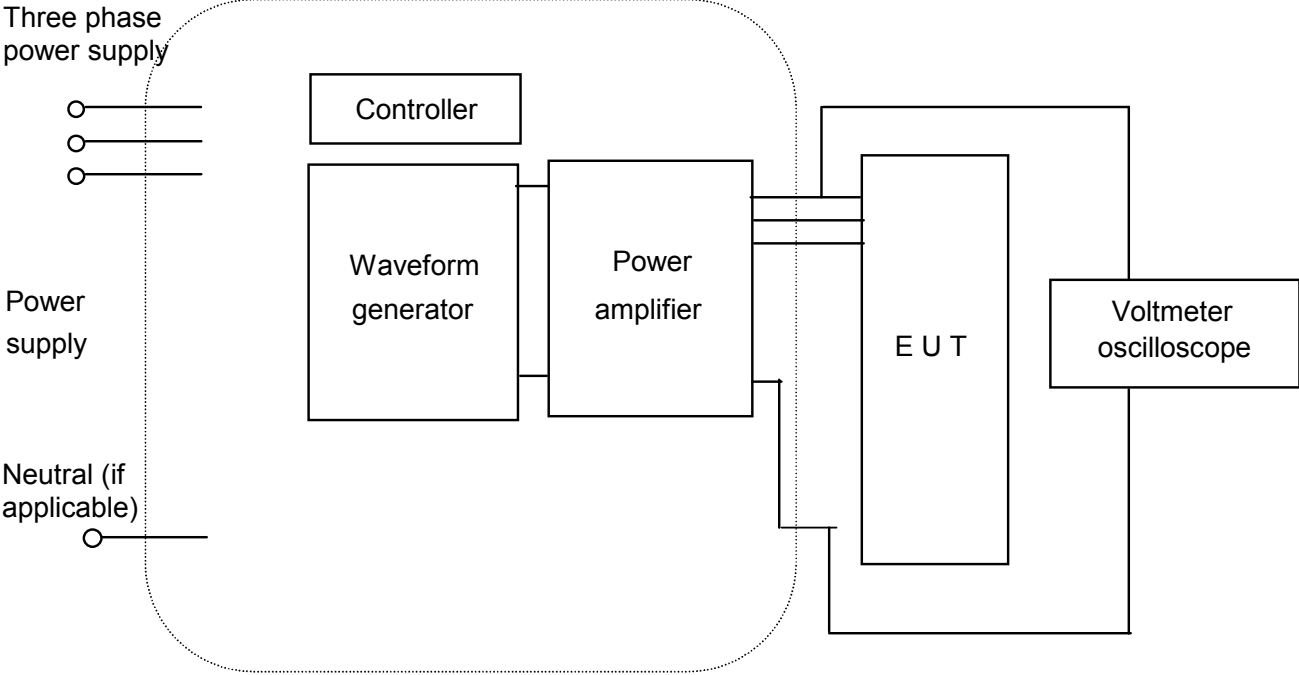
Figure 1 – Example of unbalanced three-phase supply voltage (Test 3)



IEC 1097/2000

Figure 2 – Succession of three unbalance sequences of the test (the voltages U_a , U_b , U_c rotate)

NOTE These figures apply to 50 Hz systems.



IEC 1098/2000

Figure 3 – Schematic diagram of test instrumentation for unbalance

Annex A (informative)

Sources, effects and measurement of unbalance

A.1 Sources

The predominant cause of unbalance is single-phase loads.

In low-voltage networks, single-phase loads are almost exclusively connected phase-to-neutral but they are distributed more or less equally among the three phases. In medium-voltage and high-voltage networks, single-phase loads can be connected either phase-to-phase or phase-to-neutral. Important single-phase loads include for example a.c. railway supplies or single-phase induction furnaces. Some of the three-phase loads with an asymmetrical operating regime, for example arc furnaces, cause unbalance.

High levels of unbalance for short periods of time are typically caused by faults in the network. These faults occur mainly on the low-voltage network, but may also occur on the medium- and high-voltage networks.

Depending on the characteristics of the protection equipment and the impedance of the network, these faults result in different fault conditions as described in table 1.

A.2 Effects

Under unbalanced conditions, the impedance of a three-phase induction machine is similar to its impedance during its starting (low-impedance) state, under which the current drawn by the machine is very large, up to ten times the steady-state current. Consequently, a machine operating on an unbalance supply will draw an unbalance current several times higher than the supply voltage unbalanced. As a result, the three-phase currents may differ considerably and the increased heating in the phase(s) with the higher current will only be partially offset by the reduced heating in the other phases. As the temperature rises, the disconnection of one phase may occur, a condition that can quickly result in the destruction of the machine.

Motors and generators, particularly the larger and more expensive types, may be fitted with protection to detect this condition and disconnect the machine. If the supply unbalance is sufficient, the "single-phasing" protection may respond to the unbalanced currents and trip the machine.

Polyphase converters, in which the individual input phase voltages contribute in turn to the d.c. output, will also be affected by an unbalanced supply, which causes an undesirable ripple component on the d.c. side, and non-characteristic harmonics on the a.c. side.

Control equipment may also be disturbed, particularly where the design assumes only a balanced supply network. In addition, sensors, for economic reasons, are often placed on only one or two phases. Consequently, control and regulation errors occur, leading to possible serious loss of performance.

A.3 Measurement

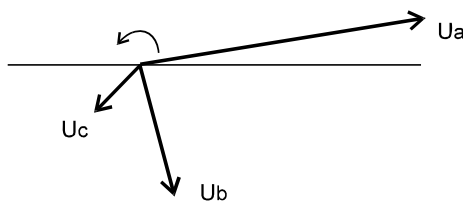
A.3.1 Symmetrical components

The following method of symmetrical components is presented with reference to three-phase systems, but also applies to polyphase systems.

A three-phase supply system is considered as unbalanced when the three related vectors used to represent it, for example the voltage or current, are different in magnitude or when the phase angles between consecutive vectors are not 120°. For those circuits under unbalanced conditions, the method of symmetrical components has been adopted in order to simplify and clarify the calculation of power system unbalanced faults, unbalanced loads and stability limits on three-phase power systems.

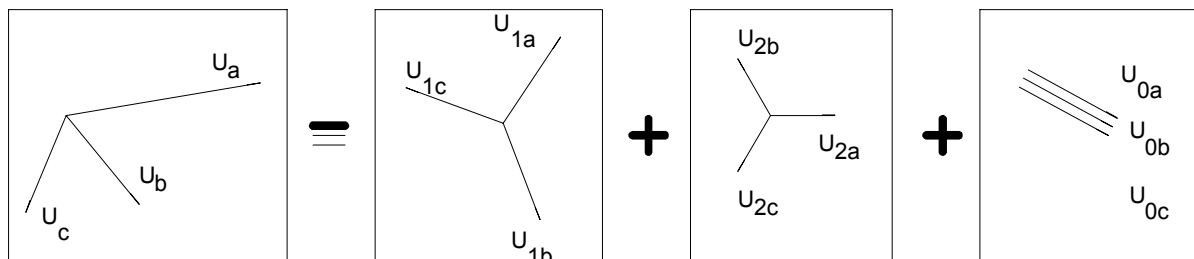
This method reduces the three unbalanced related vectors (U_a , U_b and U_c in figure A.1) into three sets of balanced vectors (U_{1a} , U_{1b} , U_{1c} ; U_{2a} , U_{2b} , U_{2c} ; U_{0a} , U_{0b} , U_{0c} in figure A.2). The three vectors of each set are of equal magnitude and spaced either at 0° (figure A.2c) or 120° (figures A.2a and A.2b). Each set (for example U_{1a} , U_{1b} , U_{1c}) is a symmetrical component of the original unbalanced vectors and is described as a positive-sequence, negative-sequence or zero-sequence vector system. This concept applies to rotating vectors, such as voltages or currents, or non-rotating vector operators such as impedance or admittance. We will refer here to voltage rotating vectors.

The following example shows symmetrical vectors of amplitudes and phases typical of a fault condition. Under normal operation conditions, for a system undergoing unbalanced conditions, voltages U_0 and U_2 are typically a small per cent of U_N .



IEC 1099/2000

Figure A.1 – Unbalanced voltage vectors



IEC 1100/2000

a) Positive-sequence voltage b) Negative-sequence voltage c) Zero-sequence voltage

Figure A.2 – Components of the unbalanced vectors in figure A.1

The three sets of component vectors have the same (counter-clockwise) direction of rotation as was assumed for the original unbalanced vectors. The negative sequence does not rotate in a direction opposite to the positive sequence, but the phase sequence of the negative-sequence set is opposite to the phase sequence of the positive-sequence set. The phase sequence is the order in which the maximum values occur in the time domain.

A.3.2 Negative and zero unbalance factors

A.3.2.1 Negative unbalance factor

Once the symmetrical components have been obtained from the unbalanced voltage system, the degree of negative-sequence voltage unbalance can be determined using the ratio of the negative-sequence component to the positive-sequence component. This ratio is commonly called the unbalance factor (k_{u2}):

$$k_{u2} = U_2/U_1$$

where

U_2 is the negative-sequence voltage;

U_1 is the positive-sequence voltage.

The negative-sequence voltages are greatly attenuated when propagating from lower to higher voltage networks. In the opposite direction (i.e. from higher to lower level), any attenuation depends on the presence of three-phase rotating machines, which have a balancing effect.

The negative-sequence voltages in a network mainly result from the negative-sequence currents of unbalanced loads flowing in the network.

A.3.2.2 Zero unbalance factor

In addition, the degree of zero-sequence voltage unbalance can be determined by the ratio of the zero-sequence component to the positive-sequence component, the unbalance factor (k_{u0}):

$$k_{u0} = U_0/U_1$$

where

U_0 is the zero-sequence voltage;

U_1 is the positive-sequence voltage.

The propagation of the zero-sequence unbalance voltage is stopped by the delta-connected transformers.

The zero-sequence voltages mainly result from the zero-sequence currents of unbalanced loads flowing in the network. They can affect three-phase equipment connected line-to-neutral, but do not affect the majority of three-phase equipment which are connected line-to-line.

A.3.3 Measurement consideration

The voltage unbalance factors must be measured at the fundamental frequency (50 Hz or 60 Hz). If not, the contribution of the zero-sequence component, such as third harmonic voltage, and/or the negative-sequence component, such as fifth harmonic voltage, can increase the measured unbalance factor and consequently introduce an error because this contribution does not cause the same effects as the fundamental frequency unbalance on equipment.

Annex B (informative)

Calculation of the degree of unbalance

$$U_1 \cos(\phi_1) = \frac{U_N}{3} [k_a \cos(\phi_a) + k_b \cos(\phi_b) + k_c \cos(\phi_c)]$$

$$U_1 \sin(\phi_1) = \frac{U_N}{3} [k_a \sin(\phi_a) + k_b \sin(\phi_b) + k_c \sin(\phi_c)]$$

$$U_2 \cos(\phi_2) = \frac{U_N}{3} \left[k_a \cos(\phi_a) + k_b \cos\left(\phi_b - \frac{4\pi}{3}\right) + k_c \cos\left(\phi_c - \frac{2\pi}{3}\right) \right]$$

$$U_2 \sin(\phi_2) = \frac{U_N}{3} \left[k_a \sin(\phi_a) + k_b \sin\left(\phi_b - \frac{4\pi}{3}\right) + k_c \sin\left(\phi_c - \frac{2\pi}{3}\right) \right]$$

where

k_a is the per cent of voltage on phase a, ϕ_a phase shift of phase a;

k_b is the per cent of voltage on phase b, ϕ_b phase shift of phase b;

k_c is the per cent of voltage on phase c, ϕ_c phase shift of phase c.

$$U_a = k_a U_N \cos(\omega t + \phi_a), \quad U_b = k_b U_N \cos\left(\omega t - \frac{2\pi}{3} + \phi_b\right), \quad U_c = k_c U_N \cos\left(\omega t - \frac{4\pi}{3} + \phi_c\right)$$

Positive sequence:

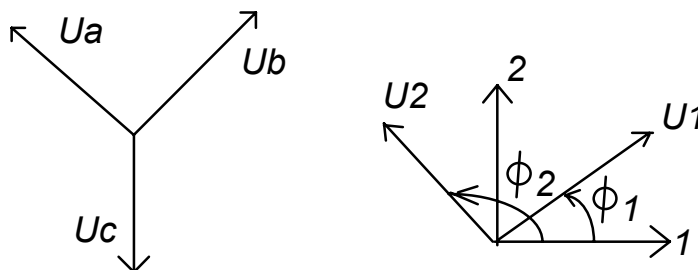
$$U_1 = U_1 \cos(\phi_1) + jU_1 \sin(\phi_1)$$

Negative sequence:

$$U_2 = U_2 \cos(\phi_2) + jU_2 \sin(\phi_2)$$

Unbalance k_{u2} :

$$k_{u2} = \frac{|U_2|}{|U_1|} = \frac{\sqrt{(U_2 \cos(\phi_2))^2 + (U_2 \sin(\phi_2))^2}}{\sqrt{(U_1 \cos(\phi_1))^2 + (U_1 \sin(\phi_1))^2}}$$



IEC 1101/2000

NOTE More information can be found in: Wagner, C.F., and Evans, R.D.: *Symmetrical Components*, Edition R. KRIEGER.

Annex C (informative)

Information on test levels

Unbalanced currents generated by voltage unbalance can lead to serious damage of electrical equipment.

A relatively intensive distortion of a three-phase system may occur for a short period especially if a short circuit arises between two phases.

In this case, a very high current flow will cause a significant voltage drop and a phase shift of these two phases. This will normally last until the circuit-breaker trips.

The severity of the fault determines the severity of the unbalance voltage. The duration of the unbalance condition corresponds to the time reaction of the circuit breaker which is inversely related to the severity of the fault.

The complex impedance used in IEC 60725 is $Z_i = 0,24 + j 0,15$ (phase conductor). The characteristics of circuit breakers have been selected from IEC 60898, type D. From these characteristics, the appropriate tests levels have been calculated.

Annex D (informative)

Electromagnetic environment classes

The following electromagnetic environment classes have been summarised from IEC 61000-2-4.

Class 1

This class applies to protected supplies and has compatibility levels lower than public network levels. It relates to the use of equipment very sensitive to disturbances in the power supply, for instance the instrumentation of technological laboratories, some automation and protection equipment, some computers, etc.

NOTE

- Class 1 environments normally contain equipment which requires protection by such apparatus as uninterruptible power supplies (UPS), filters, or surge suppressers.
- In some cases, highly sensitive equipment may require compatibility levels lower than the ones relevant to class 1 environments. The compatibility levels are then to be agreed on a case by case basis.

Class 2

This class applies to points of common coupling (PCCs for consumer systems) and in-plant points of common coupling (IPCs) in the industrial environment in general. The compatibility levels in this class are identical to those of public networks; therefore components designed for application in public networks may be used in this class of industrial environment.

Class 3

This class applies only to IPCs in industrial environments. It has higher compatibility levels than those of class 2 for some disturbance phenomena. For instance, this class should be considered when any of the following conditions are met:

- a major part of the load is fed through converters;
- welding machines are present;
- large motors are frequently started;
- loads vary rapidly

NOTE The supply to highly disturbing loads, such as arc-furnaces and large converters which are generally supplied from a segregated bus-bar, frequently has disturbance levels in excess of class 3 (harsh environment). In such special situations, the compatibility levels should be agreed upon.

The class applicable for new plants and extensions of existing plants should relate to the type of equipment and process under consideration.

Bibliography

IEC 60725, *Considerations on reference impedances for use in determining the disturbance characteristics of household appliances and similar electrical equipment*

IEC 60898, *Electrical accessories – Circuit-breakers for overcurrent protection for household and similar installations*



SOMMAIRE

AVANT-PROPOS	23
INTRODUCTION	25
1 Domaine d'application et objet	26
2 Références normatives	26
3 Définitions	27
4 Généralités	27
5 Niveaux d'essai	27
6 Matériels d'essai	28
6.1 Générateurs d'essai	28
6.2 Vérification des caractéristiques des générateurs d'essai	29
7 Installation d'essai	29
8 Procédures d'essai	30
8.1 Conditions de référence en laboratoire	30
8.2 Exécution des essais	30
9 Evaluation des résultats d'essai	31
10 Rapport d'essai	31
Annex A (informative) Sources, effets et mesure du déséquilibre	35
Annex B (informative) Calcul du taux de déséquilibre	38
Annex C (informative) Informations sur les niveaux d'essai	39
Annex D (Informative) Classes d'environnement électromagnétique	40
Bibliographie	41
Figure 1 – Exemple de tension d'alimentation triphasée déséquilibrée (essai 3)	33
Figure 2 – Succession de trois combinaisons de déséquilibre dans l'essai (les tensions U_a , U_b , U_c sont alternées)	33
Figure 3 – Schéma de l'instrumentation d'essai au déséquilibre	34
Figure 4 – Exemple d'une charge adéquate pour la vérification du générateur d'essai	29
Figure A.1 – Vecteurs de tension déséquilibrée	36
Figure A.2 – Composantes des vecteurs déséquilibrés de la figure A.1	36
Tableau 1 – Niveaux d'essai	28
Tableau 2 – Caractéristiques du générateur	28

COMMISSION ÉLECTROTECHNIQUE INTERNATIONALE

COMPATIBILITÉ ÉLECTROMAGNÉTIQUE (CEM) –**Partie 4-27: Techniques d'essai et de mesure –
Essai d'immunité aux déséquilibres pour des matériels avec
un courant appelé n'excédant pas 16 A par phase**

AVANT-PROPOS

- 1) La Commission Electrotechnique Internationale (CEI) est une organisation mondiale de normalisation composée de l'ensemble des comités électrotechniques nationaux (Comités nationaux de la CEI). La CEI a pour objet de favoriser la coopération internationale pour toutes les questions de normalisation dans les domaines de l'électricité et de l'électronique. A cet effet, la CEI – entre autres activités – publie des Normes internationales, des Spécifications techniques, des Rapports techniques, des Spécifications accessibles au public (PAS) et des Guides (ci-après dénommés "Publication(s) de la CEI"). Leur élaboration est confiée à des comités d'études, aux travaux desquels tout Comité national intéressé par le sujet traité peut participer. Les organisations internationales, gouvernementales et non gouvernementales, en liaison avec la CEI, participent également aux travaux. La CEI collabore étroitement avec l'Organisation Internationale de Normalisation (ISO), selon des conditions fixées par accord entre les deux organisations.
- 2) Les décisions ou accords officiels de la CEI concernant les questions techniques représentent, dans la mesure du possible, un accord international sur les sujets étudiés, étant donné que les Comités nationaux de la CEI intéressés sont représentés dans chaque comité d'études.
- 3) Les Publications de la CEI se présentent sous la forme de recommandations internationales et sont agréées comme telles par les Comités nationaux de la CEI. Tous les efforts raisonnables sont entrepris afin que la CEI s'assure de l'exactitude du contenu technique de ses publications; la CEI ne peut pas être tenue responsable de l'éventuelle mauvaise utilisation ou interprétation qui en est faite par un quelconque utilisateur final.
- 4) Dans le but d'encourager l'uniformité internationale, les Comités nationaux de la CEI s'engagent, dans toute la mesure possible, à appliquer de façon transparente les Publications de la CEI dans leurs publications nationales et régionales. Toutes divergences entre toutes Publications de la CEI et toutes publications nationales ou régionales correspondantes doivent être indiquées en termes clairs dans ces dernières.
- 5) La CEI n'a prévu aucune procédure de marquage valant indication d'approbation et n'engage pas sa responsabilité pour les équipements déclarés conformes à une de ses Publications.
- 6) Tous les utilisateurs doivent s'assurer qu'ils sont en possession de la dernière édition de cette publication.
- 7) Aucune responsabilité ne doit être imputée à la CEI, à ses administrateurs, employés, auxiliaires ou mandataires, y compris ses experts particuliers et les membres de ses comités d'études et des Comités nationaux de la CEI, pour tout préjudice causé en cas de dommages corporels et matériels, ou de tout autre dommage de quelque nature que ce soit, directe ou indirecte, ou pour supporter les coûts (y compris les frais de justice) et les dépenses découlant de la publication ou de l'utilisation de cette Publication de la CEI ou de toute autre Publication de la CEI, ou au crédit qui lui est accordé.
- 8) L'attention est attirée sur les références normatives citées dans cette publication. L'utilisation de publications référencées est obligatoire pour une application correcte de la présente publication.
- 9) L'attention est attirée sur le fait que certains des éléments de la présente Publication de la CEI peuvent faire l'objet de droits de propriété intellectuelle ou de droits analogues. La CEI ne saurait être tenue pour responsable de ne pas avoir identifié de tels droits de propriété et de ne pas avoir signalé leur existence.

La Norme internationale CEI 61000-4-27 a été établie par le sous-comité 77A: Phénomènes basse fréquence, du comité d'études 77 de la CEI: Compatibilité électromagnétique.

Elle constitue la partie 4-27 de la CEI 61000. Elle a le statut de publication fondamentale en CEM conformément au Guide 107 de la CEI.

Cette version consolidée de la CEI 61000-4-27 comprend la première édition (2000) [documents 77A/308/FDIS et 77A/314/RVD] et son amendement 1 (2009) [documents 77A/672/FDIS et 77A/675/RVD].

Le contenu technique de cette version consolidée est donc identique à celui de l'édition de base et à son amendement; cette version a été préparée par commodité pour l'utilisateur.

Elle porte le numéro d'édition 1.1.

Une ligne verticale dans la marge indique où la publication de base a été modifiée par l'amendement 1.

Les annexes A, B, C et D sont données uniquement à titre d'information.

Le comité a décidé que le contenu de la publication de base et de ses amendements ne sera pas modifié avant la date de maintenance indiquée sur le site web de la CEI sous "<http://webstore.iec.ch>" dans les données relatives à la publication recherchée. A cette date, la publication sera

- reconduite,
- supprimée,
- remplacée par une édition révisée, ou
- amendée.

.....

INTRODUCTION

La CEI 61000 est publiée sous forme de plusieurs parties séparées, conformément à la structure suivante:

Partie 1: Généralités

Considérations générales (introduction, principes fondamentaux)

Définitions, terminologie

Partie 2: Environnement

Description de l'environnement

Classification de l'environnement

Niveaux de compatibilité

Partie 3: Limites

Limites d'émission

Limites d'immunité (dans la mesure où elles ne relèvent pas de la responsabilité des comités de produits)

Partie 4: Techniques d'essai et de mesure

Techniques de mesure

Techniques d'essai

Partie 5: Guide d'installation et d'atténuation

Guides d'installation

Méthodes et dispositifs d'atténuation

Partie 6: Normes génériques

Partie 9: Divers

Chaque partie est à son tour subdivisée en plusieurs parties, publiées soit comme Normes internationales, soit comme spécifications techniques ou rapports techniques, dont certaines ont déjà été publiées en tant que sections. D'autres seront publiées sous le numéro de la partie, suivi d'un tiret et complété d'un second chiffre identifiant la subdivision (exemple: 61000-6-1).

COMPATIBILITÉ ELECTROMAGNÉTIQUE (CEM) –

Partie 4-27: Techniques d'essai et de mesure – Essai d'immunité aux déséquilibres pour des matériels avec un courant appelé n'excédant pas 16 A par phase

1 Domaine d'application et objet

La présente partie de la CEI 61000 est une publication fondamentale en CEM (Compatibilité électromagnétique). Elle porte sur les essais d'immunité des équipements électriques et/ou électroniques (appareils et systèmes) dans leur environnement électromagnétique. Seuls les phénomènes conduits sont pris en compte, et notamment les essais d'immunité des équipements reliés aux réseaux publics et industriels.

La présente norme a pour objet d'établir une référence pour évaluer l'immunité des équipements électriques et électroniques soumis à des déséquilibres de tension.

Cette norme s'applique aux équipements triphasés électriques et/ou électroniques 50 Hz/ 60 Hz, absorbant un courant nominal inférieur ou égal à 16 A par phase.

Cette norme ne s'applique pas aux équipements triphasés ayant un neutre s'ils fonctionnent comme un groupe de charges monophasées branchées entre phase et neutre.

Cette norme ne s'applique pas aux équipements électriques et/ou électroniques raccordés aux réseaux de distribution en courant alternatif à 400 Hz.

Les essais de cette norme ne comprennent pas les essais relatifs au facteur de déséquilibre homopolaire.

Les niveaux d'immunité exigés pour un environnement électromagnétique particulier, ainsi que les critères de performances, sont indiqués dans les normes de produit, de famille de produits ou dans les normes génériques selon le cas. Cet essai d'immunité ne devrait être inclus dans les normes de produit, de famille de produits ou dans des normes génériques que si le matériel est susceptible de présenter une aptitude à la fonction ou un fonctionnement réduit lorsqu'il est soumis à une alimentation en tension comportant un déséquilibre.

La vérification de la fiabilité des matériels électriques (condensateurs, moteurs, etc.) et les effets de longue durée (plus de quelques minutes) ne sont pas traités dans cette norme.

2 Références normatives

Les documents de référence suivants sont indispensables pour l'application du présent document. Pour les références datées, seule l'édition citée s'applique. Pour les références non datées, la dernière édition du document de référence s'applique (y compris les éventuels amendements).

CEI 60050(161), *Vocabulaire électrotechnique international (VEI) – Chapitre 161: Compatibilité électromagnétique*

CEI 61000-2-4, *Compatibilité électromagnétique (CEM) – Partie 2: Environnement – Section 4: Niveaux de compatibilité dans les installations industrielles pour les perturbations conduites à basse fréquence*

3 Définitions

Pour les besoins de la présente partie de la CEI 61000, les définitions suivantes s'appliquent.

3.1

immunité (à une perturbation)

aptitude d'un dispositif, d'un appareil ou d'un système à fonctionner sans dégradation en présence d'une perturbation électromagnétique
[VEI 161-01-20]

3.2

déséquilibre de tension

dans un réseau d'énergie électrique polyphasé, état dans lequel les valeurs efficaces des tensions entre conducteurs ou les différences de phase entre conducteurs ne sont pas toutes égales
[VEI 161-08-09]

3.3

taux de déséquilibre k_{U2} (%)

rapport entre la composante inverse et la composante directe, mesurées à la fréquence du réseau (50 Hz ou 60 Hz) telles qu'elles sont définies dans le système des composantes symétriques

$$k_{U2} = 100 \% (U_2 / U_1) \text{ (tension inverse / tension directe)}$$

NOTE Dans un réseau, les tensions inverses résultent principalement des courants inverses des charges déséquilibrées circulant sur le réseau.

3.4

dysfonctionnement

impossibilité, pour l'équipement, de continuer à assurer les fonctions prévues, ou exécution par l'équipement de fonctions non prévues

4 Généralités

Les équipements électriques et électroniques triphasés peuvent être affectés par des déséquilibres de tension. L'annexe A décrit les sources, les effets et la procédure de mesure de cette perturbation.

Les déséquilibres ont pour origine des variations d'amplitude ou des déphasages de la tension. L'annexe B donne une formule pour calculer le taux de déséquilibre reposant sur ces paramètres.

Le but de l'essai est d'étudier l'influence du déséquilibre de l'alimentation triphasée sur les équipements pouvant y être sensibles, et risquant de provoquer:

- des surintensités dans les machines tournantes à courant alternatif;
- l'apparition d'harmoniques non caractéristiques dans les convertisseurs de puissance;
- des problèmes de synchronisation ou des dysfonctionnements dans le contrôle-commande des équipements électriques (voir annexe A).

5 Niveaux d'essai

L'équipement à l'essai (EST) est placé en régime permanent à la tension nominale du réseau, puis soumis à une séquence de déséquilibre telle qu'elle est décrite à la figure 2.

Le tableau 1 spécifie les niveaux d'essai qui ont été obtenus comme expliqué à l'annexe C.

La durée de l'essai de déséquilibre, spécifiée entre 0,1 s et 60 s, est considérée comme adéquate pour observer les effets à court terme.

Tableau 1 – Niveaux d’essai

Numéro d’essai	Niveau d’essai pour la classe 1	Niveau d’essai pour la classe 2					Niveau d’essai pour la classe 3					Niveau d’essai pour la classe X
		Phase	Amplitude % U_N	Angle °	k_{u2} %	Durée s	Phase	Amplitude % U_N	Angle °	k_{u2} %	Durée s	
Essai 1	Essai non nécessaire	U_a	100	0°	6	30	U_a	100	0°	8	60	
		U_b	95,2	125°			U_b	93,5	127°			
		U_c	90	240°			U_c	87	240°			
Essai 2		U_a	100	0°	13	15	U_a	100	0°	17	15	
		U_b	90	131°			U_b	87	134°			
		U_c	80	239°			U_c	74	238°			
Essai 3		U_a	110	0°	25	0,1	U_a	110	0°	25	2	
		U_b	66	139°			U_b	66	139°			
		U_c	71	235°			U_c	71	235°			

NOTE 1 U_N est la tension nominale.

NOTE 2 U_b en retard par rapport à U_a et U_c en avance par rapport à U_a .

Les essais sont respectivement spécifiés pour les niveaux 2 et 3 de la CEI 61000-2-4.

Les comités de produits peuvent spécifier leurs niveaux d’essais; cependant, pour les matériels raccordés à un réseau public, il est recommandé que les niveaux ne soient pas inférieurs à ceux spécifiés pour la classe 2.

6 Matériels d’essai

6.1 Générateurs d’essai

Le générateur doit être doté de dispositifs empêchant l’émission de perturbations qui, si elles sont injectées dans le réseau d’alimentation, sont susceptibles d’influencer les résultats d’essai.

La tension de sortie doit être ajustée à $\pm 1\%$ de U_N et la phase à $\pm 0,3^\circ$.

Tableau 2 – Caractéristiques du générateur

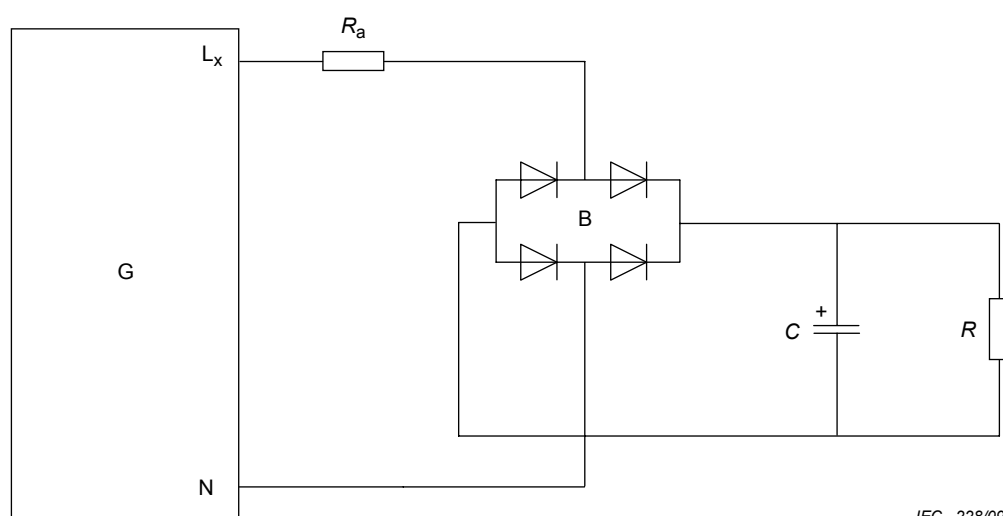
Caractéristique	Spécification de performance
Tension de sortie	$U_N +15, -40 \%$
Précision de la tension de sortie	$\pm 2 \%$ de U_N
Intensité de sortie	Suffisante pour alimenter l’EST dans toutes les conditions d’essais
Dépassement ou diminution de la tension réelle, générateur chargé par une charge résistive de 100 Ω	Moins de 5 % de la variation de tension
Montée en tension (et temps de descente) pendant les variations de tension, générateur chargé par une charge résistive de 100 Ω	1 μs à 5 μs
Distorsion harmonique totale de la tension de sortie	Moins de 3 %
Décalage de phase	0°, 120° et 240° $\pm 30^\circ$
Précision de phase	1° entre deux phases quelles qu’elles soient
Précision de fréquence	0,5 % de f_1 (50 Hz ou 60 Hz)

6.2 Vérification des caractéristiques des générateurs d'essai

Compte tenu de la grande diversité des EST, des générateurs de différentes caractéristiques de sortie peuvent être utilisés en fonction des besoins.

Il doit être vérifié que le générateur d'essai répond aux caractéristiques et spécifications de performances indiquées dans le Tableau 2. Les performances du générateur d'essai doivent être vérifiées avec des charges résistives utilisant un courant efficace au plus égal à l'intensité de sortie du générateur.

De plus, il doit être vérifié que l'intensité de sortie du générateur est capable de fournir un facteur de crête au moins égal à 3 lorsqu'on applique U_N à une charge monophasée utilisant un courant efficace au plus égal à l'intensité de sortie du générateur. Chaque phase du générateur doit être vérifiée à tour de rôle. Un exemple d'une charge 230 V/16 A adéquate pour la vérification est donné en Figure 4.



IEC 228/09

Composants

G	Générateur d'essai
B	Pont redresseur
C	Condensateur électrolytique 11 000 μ F \pm 20 %
R	Résistance 35 Ω \pm 1 %
R _a	Résistance additionnelle

NOTE On doit choisir R_a pour que la somme totale des résistances (somme de la résistance additionnelle R_a, la résistance de câblage R_{wire}, la résistance interne des deux diodes conductrices R_{diodes}, et la résistance interne du condensateur R_c) soit égale à 92 m Ω (\pm 10 %).

Figure 4 – Exemple d'une charge adéquate pour la vérification du générateur d'essai

7 Installation d'essai

L'essai doit être effectué avec l'EST relié au générateur d'essai au moyen du câble d'alimentation recommandé par le fabricant. Si la longueur du câble n'est pas spécifiée, elle doit être la plus courte possible pour l'EST. Cette longueur doit être mentionnée dans le rapport d'essai.

La figure 3 présente un schéma d'un générateur de tension déséquilibrée (modification d'amplitude ou de phase) obtenue à l'aide d'un générateur avec amplificateur de puissance.

Les générateurs dotés de transformateurs et d'interrupteurs doivent avoir des transformateurs variables sur au moins deux phases.

Les accès de l'EST doivent être raccordés aux périphériques appropriés, indiqués par le fabricant. Si les périphériques appropriés ne sont pas disponibles, ils peuvent être simulés.

8 Procédures d'essai

8.1 Conditions de référence en laboratoire

Afin de minimiser l'impact des paramètres liés à l'environnement sur les résultats des essais, ceux-ci doivent être réalisés dans les conditions de référence climatiques et électromagnétiques indiquées en 8.1.1 et 8.1.2.

8.1.1 Conditions climatiques

A moins qu'il en soit spécifié autrement par le comité responsable d'une norme générique ou d'une norme de produit, les conditions climatiques dans le laboratoire doivent être dans les limites spécifiées pour le fonctionnement de l'EST et des matériels d'essai par les constructeurs respectifs.

Les essais ne doivent pas être réalisés si l'humidité relative est telle qu'elle cause une condensation sur l'EST ou sur les matériels d'essai.

NOTE Lorsqu'il est estimé qu'il y a une évidence suffisante pour démontrer que les effets du phénomène couvert par la présente norme sont influencés par les conditions climatiques, il convient d'en informer le comité responsable de la présente norme.

8.1.2 Conditions électromagnétiques

Les conditions électromagnétiques du laboratoire ne doivent pas influencer les résultats des essais.

8.2 Exécution des essais

L'EST doit être placé dans des conditions de fonctionnement normal.

Les essais doivent avoir lieu conformément à un programme d'essais qui doit indiquer:

- le numéro d'essai (voir tableau 1);
- le niveau d'essai;
- la durée de l'essai;
- les accès auxquels les essais doivent être appliqués;
- les conditions de fonctionnement représentatives de l'EST;
- les matériels auxiliaires.

L'alimentation, les signaux et les autres grandeurs électriques fonctionnelles doivent être appliquées dans les limites de leurs plages assignées. Si les sources réelles des signaux d'exploitation ne sont pas disponibles, elles peuvent être simulées.

Pour chaque niveau d'essai, une succession de trois combinaisons de déséquilibre au minimum doit être appliquée, avec un intervalle de 3 min au moins entre deux combinaisons consécutives (voir figure 2).

Les tensions d'essais appliquées doivent être obtenues par permutation circulaire comme indiqué ci-après:

Première combinaison: U_a sur L_1 ; U_b sur L_2 ; U_c sur L_3 ;

Seconde combinaison: U_a sur L_2 ; U_b sur L_3 ; U_c sur L_1 ;

Troisième combinaison: U_a sur L_3 ; U_b sur L_1 ; U_c sur L_2 .

où

U_a , U_b et U_c sont les tensions du générateur (voir tableau 1);

L_1 , L_2 et L_3 sont les bornes d'alimentation de l'EST.

Les changements de tension d'alimentation doivent se produire aux passages à zéro de U_a . Le générateur d'essai doit avoir en sortie une basse impédance en régime permanent et durant les périodes de transition.

Toute dégradation des performances doit être relevée pour chaque essai. Il convient que le matériel d'enregistrement soit capable d'afficher l'état du mode opératoire de l'appareil en cours d'essai et après l'essai. Une vérification fonctionnelle complète doit être effectuée après chaque groupe d'essai.

9 Evaluation des résultats d'essai

Les résultats d'essai doivent être classés en tenant compte de la perte de fonction ou de la dégradation du fonctionnement du matériel soumis à l'essai, par rapport à un niveau de comportement défini par son constructeur ou par le demandeur de l'essai, ou en accord entre le constructeur et l'acheteur du produit. La classification recommandée est comme suit:

- a) comportement normal dans les limites spécifiées par le constructeur, le demandeur de l'essai ou l'acheteur;
- b) perte temporaire de fonction ou dégradation temporaire du comportement cessant après la disparition de la perturbation, le matériel soumis à l'essai retrouve alors son comportement normal sans l'intervention d'un opérateur;
- c) perte temporaire de fonction ou dégradation temporaire du comportement nécessitant l'intervention d'un opérateur;
- d) perte de fonction ou dégradation du comportement non récupérable, due à une avarie du matériel ou du logiciel, ou à une perte de données.

La spécification du constructeur peut définir des effets sur l'EST qui peuvent être considérés comme non significatifs et donc acceptables.

Cette classification peut être utilisée comme un guide pour l'élaboration des critères de comportement, par les comités responsables pour les normes génériques, de produit et de famille de produits, ou comme un cadre pour l'accord sur les critères de comportement entre le constructeur et l'acheteur, par exemple lorsqu'aucune norme générique, de produit ou de famille de produit existe.

10 Rapport d'essai

Le rapport d'essai doit contenir toutes les informations nécessaires pour reproduire l'essai. En particulier, ce qui suit doit être noté:

- les points spécifiés dans le plan d'essai requis à l'article 8 de la présente norme;
- l'identification de l'EST et de tous les matériels associés, par exemple marque, type, numéro de série;
- l'identification des matériels d'essai, par exemple marque, type, numéro de série;
- toutes les conditions d'environnement spéciales dans lesquelles l'essai a été réalisé, par exemple enveloppe blindée;
- toutes les conditions spécifiques nécessaires pour permettre la réalisation de l'essai;
- le niveau de comportement défini par le constructeur, le demandeur de l'essai ou l'acheteur;

- le critère de comportement spécifié dans la norme générique, de produit ou de famille de produits;
- tous les effets observés sur l'EST pendant et après l'application de la perturbation, et la durée pendant laquelle ces effets ont persisté;
- la justification de la décision succès/échec (basée sur le critère de comportement spécifié dans la norme générique, de produit ou de famille de produits, ou dans l'accord entre le constructeur et l'acheteur);
- toutes les conditions spécifiques d'utilisation, par exemple longueur ou type de câble, blindage ou raccordement à la terre, ou les conditions de fonctionnement de l'EST, qui sont requises pour assurer la conformité.

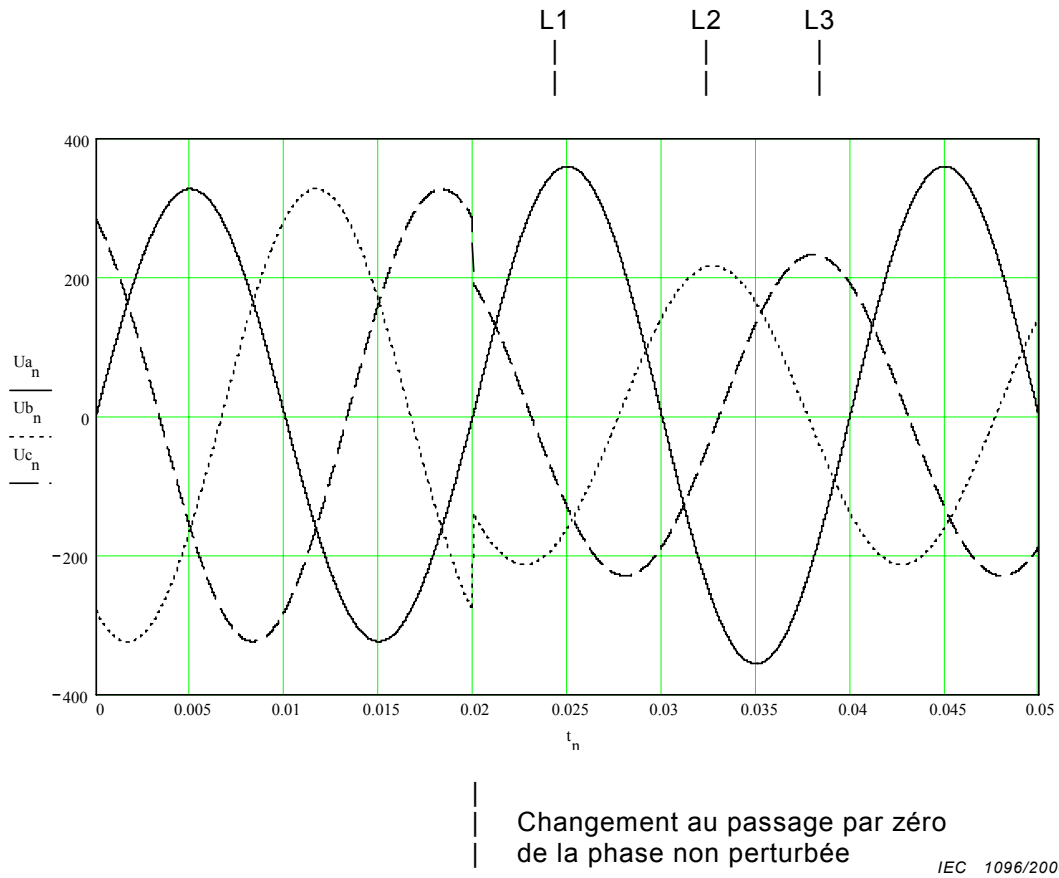
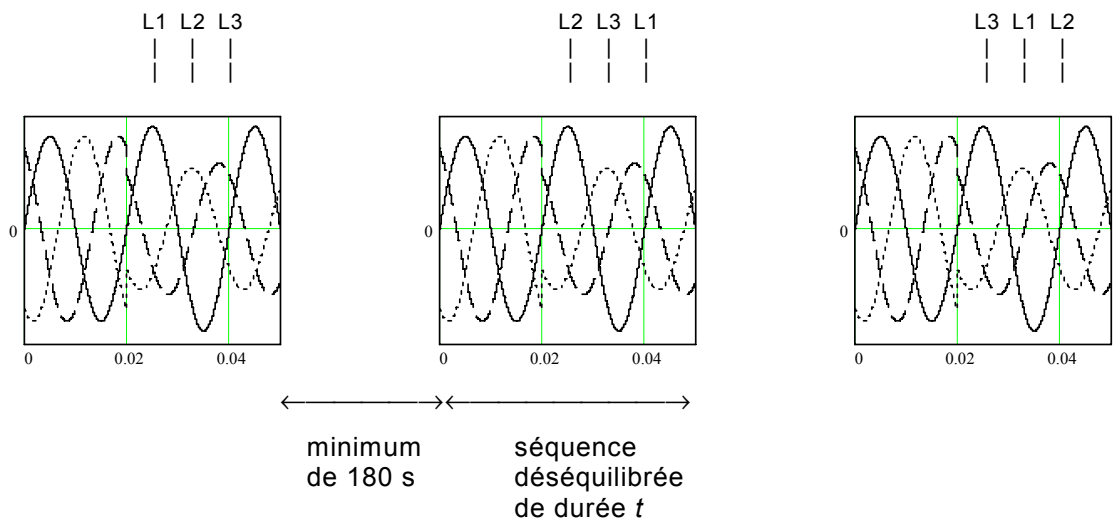


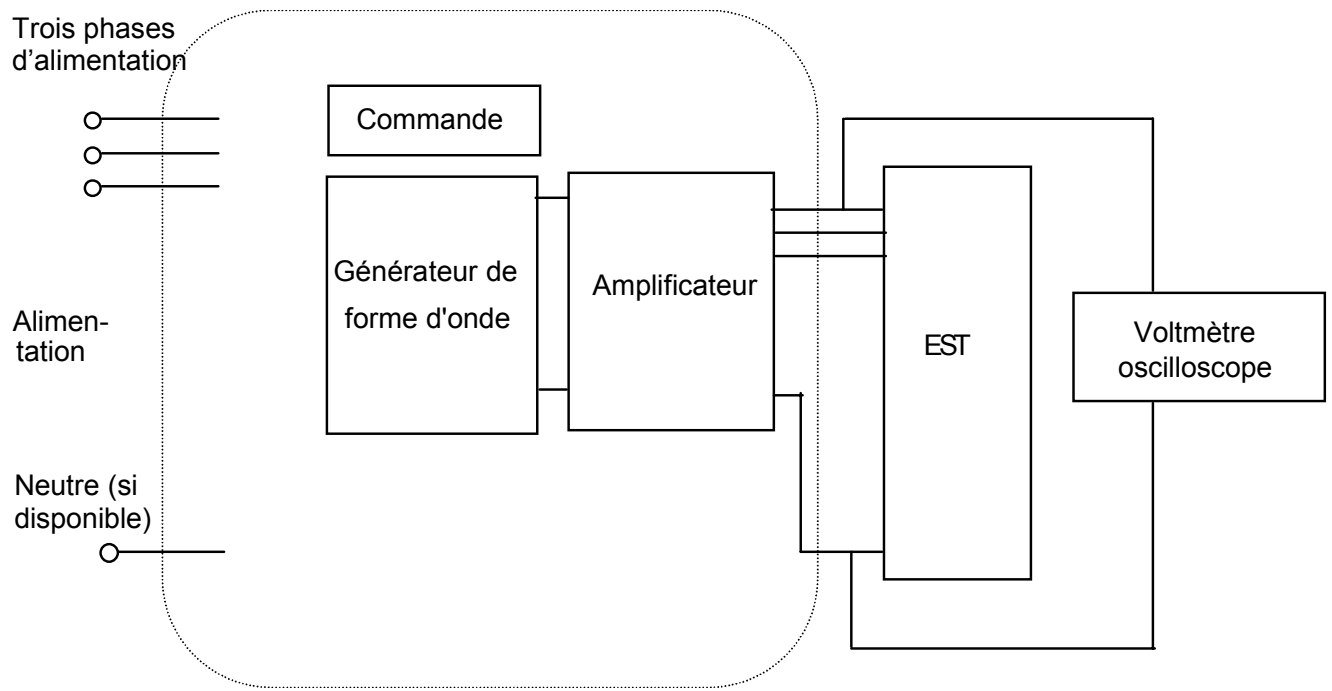
Figure 1 – Exemple de tension d'alimentation triphasée déséquilibrée (essai 3)



IEC 1097/2000

Figure 2 – Succession de trois combinaisons de déséquilibre dans l'essai (les tensions U_a , U_b , U_c sont alternées)

NOTE Ces figures s'appliquent aux réseaux 50 Hz.



IEC 1098/2000

Figure 3 – Schéma de l'instrumentation d'essai au déséquilibre

Annexe A (informative)

Sources, effets et mesure du déséquilibre

A.1 Sources

Le déséquilibre est principalement causé par les charges monophasées.

Dans les réseaux à basse tension, les charges monophasées sont presque exclusivement connectées entre phase et neutre, mais elles sont réparties de façon plus ou moins égale entre les trois phases. Dans les réseaux à moyenne et haute tension, les charges monophasées peuvent être connectées entre phases ou entre phase et neutre. Les charges monophasées importantes sont par exemple les alimentations alternatives ferroviaires, les fours à induction monophasés. Certaines charges triphasées à régime asymétrique telles que les fours à arc sont aussi la cause de déséquilibre.

Dans les réseaux, des niveaux de déséquilibre importants mais de courte durée sont typiquement dus aux défauts. Ces défauts se produisent principalement sur les réseaux basse tension, mais peuvent également se produire sur les réseaux à moyenne et haute tension.

En fonction des caractéristiques des équipements de protection et de l'impédance de réseau, ces phénomènes engendrent les différentes conditions de défaut décrites dans le tableau 1.

A.2 Effets

En situation de déséquilibre, l'impédance d'une machine à induction triphasée est similaire à celle qu'elle présente au démarrage (faible impédance), ce qui provoque un très fort appel de courant, l'intensité pouvant atteindre dix fois celle en fonctionnement. En conséquence, une machine fonctionnant sur une alimentation déséquilibrée appelle un courant dont le degré de déséquilibre est plusieurs fois supérieur à celui de l'alimentation. C'est pourquoi les courants triphasés peuvent être très différents; l'effet de surchauffe des phases affectées par les intensités supérieures n'est que partiellement compensé par le moindre échauffement des autres phases. L'échauffement peut conduire à la déconnexion d'une phase, avec risque de destruction rapide de la machine.

Les moteurs et les alternateurs, en particulier les plus gros et les plus coûteux, peuvent être équipés de dispositifs de protection afin de détecter ces phénomènes et de couper l'alimentation de la machine. Si le déséquilibre de l'alimentation est suffisant, la protection «monophasée» peut réagir aux courants de déséquilibre et déconnecter la machine.

Les convertisseurs polyphasés, dans lesquels les tensions des phases individuelles à l'entrée contribuent tour à tour à la sortie continue, sont eux aussi affectés par une alimentation déséquilibrée, qui provoque l'apparition d'une composante sinusoïdale indésirable du côté continu, et des harmoniques non caractéristiques du côté alternatif.

Les équipements de commande peuvent également être perturbés, particulièrement ceux dont la conception suppose un réseau équilibré. En outre, pour des raisons économiques, les capteurs ne sont souvent installés que sur une ou deux phases. Il se produit alors des erreurs de commande ou de régulation pouvant conduire à de graves dégradations de performances.

A.3 Mesure

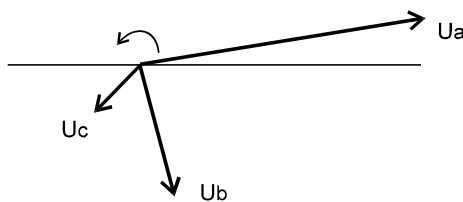
A.3.1 Composantes symétriques

La méthode des composantes symétriques décrite dans ce qui suit est présentée dans le contexte des systèmes triphasés, mais elle s'applique également aux systèmes polyphasés.

Un système d'alimentation triphasé est déséquilibré lorsque les trois vecteurs liés utilisés pour le représenter, par exemple la tension ou le courant, sont d'amplitude différente, ou lorsque l'angle de phase entre deux vecteurs consécutifs n'est pas de 120° . Pour ces circuits déséquilibrés, la méthode des composantes symétriques permet de simplifier et de clarifier le calcul des défauts résultant du déséquilibre, les charges non équilibrées et les limites de stabilité dans un système d'alimentation triphasé.

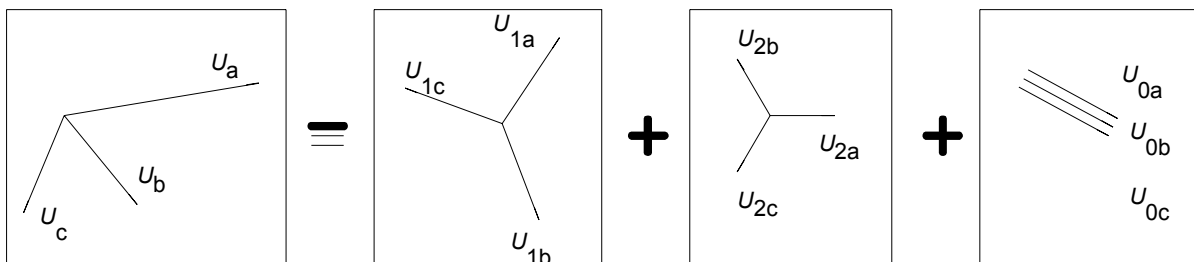
Cette méthode réduit les trois vecteurs en déséquilibre (U_a, U_b et U_c à la figure A.1) à trois ensembles de vecteurs équilibrés ($U_{1a}, U_{1b}, U_{1c}; U_{2a}, U_{2b}, U_{2c}; U_{0a}, U_{0b}, U_{0c}$ à la figure A.2). Les trois vecteurs de chaque ensemble sont d'amplitude égale, et espacés soit de 0° (figure A.2.c) soit de 120° (figure A.2a et A.2b). Chaque ensemble (par exemple U_{1a}, U_{1b}, U_{1c}), est une composante symétrique des vecteurs déséquilibrés d'origine, qualifiée de système de vecteurs direct, inverse ou nul. Ce concept s'applique aux vecteurs tournants tels que ceux de tension et d'intensité, ainsi qu'aux vecteurs non tournants comme ceux d'impédance ou d'admittance. Ce qui suit concerne les vecteurs tournants de tension.

L'exemple suivant montre des composantes symétriques d'amplitudes et de phases représentatives d'une condition de défaut. En fonctionnement normal, dans un système soumis à un déséquilibre, les tensions U_0 et U_2 sont en général égales à un faible pourcentage de U_N .



IEC 1099/2000

Figure A.1 – Vecteurs de tension déséquilibrée



IEC 1100/2000

a) séquence directe b) séquence inverse c) séquence homopolaire

Figure A.2 – Composantes des vecteurs déséquilibrés de la figure A.1

Les trois ensembles de vecteurs ont le même sens de rotation (anti-horaire) que celui supposé pour les vecteurs de déséquilibre d'origine. La séquence inverse ne tourne pas dans le sens opposé à celui du système direct, mais la succession des phases est opposée à la succession des phases de l'ensemble du système direct. La succession des phases est, en fonction du temps, l'ordre dans lequel les valeurs maximales se produisent.

A.3.2 Facteurs de déséquilibre inverse et homopolaire

A.3.2.1 Facteur de déséquilibre inverse

Une fois les composantes symétriques obtenues à partir du système de tension déséquilibré, le degré de déséquilibre de tension inverse peut être déterminé à l'aide du rapport entre la composante inverse et la composante directe. Ce rapport est couramment appelé facteur de déséquilibre (k_{U2}):

$$k_{U2} = U_2/U_1$$

où

U_2 est la tension inverse;

U_1 est la tension directe.

La propagation des tensions inverses depuis les réseaux basse tension vers les réseaux haute tension se produit avec une forte atténuation. Dans le sens opposé (c'est-à-dire du niveau haut au niveau bas), l'atténuation éventuelle dépend de la présence de machines tournantes triphasées, qui ont un effet d'équilibrage.

Les tensions inverses dans un réseau proviennent principalement des courants inverses des charges déséquilibrées circulant sur le réseau en question.

A.3.2.2 Facteur de déséquilibre homopolaire

De plus, il est possible de déterminer le déséquilibre de tension homopolaire par le rapport entre la composante homopolaire et la composante directe, le facteur de déséquilibre (k_{U0}):

$$k_{U0} = U_0/U_1$$

où

U_0 est la tension homopolaire;

U_1 est la tension directe.

La propagation de la tension de déséquilibre homopolaire est arrêtée par les transformateurs à couplage en triangle.

Les tensions homopolaires proviennent principalement des courants homopolaires des charges déséquilibrées circulant sur le réseau en question. Elles peuvent affecter les équipements triphasés raccordés de phase à neutre, mais elles épargnent la plupart des appareils raccordés entre phases.

A.3.3 Précaution de mesure

Il est nécessaire que les facteurs de déséquilibre de tension soient mesurés à la fréquence fondamentale (50 Hz ou 60 Hz), sinon la contribution de la composante homopolaire, tension d'harmonique trois, par exemple, et/ou celle de la composante inverse, tension d'harmonique cinq par exemple, peuvent augmenter le facteur de déséquilibre mesuré, et être à l'origine d'une erreur, puisque cette contribution n'a pas sur l'équipement les mêmes effets que le déséquilibre à la fréquence fondamentale.

Annexe B (informative)

Calcul du taux de déséquilibre

$$U_1 \cos(\phi_1) = \frac{U_N}{3} [k_a \cos(\phi_a) + k_b \cos(\phi_b) + k_c \cos(\phi_c)]$$

$$U_1 \sin(\phi_1) = \frac{U_N}{3} [k_a \sin(\phi_a) + k_b \sin(\phi_b) + k_c \sin(\phi_c)]$$

$$U_2 \cos(\phi_2) = \frac{U_N}{3} \left[k_a \cos(\phi_a) + k_b \cos\left(\phi_b - \frac{4\pi}{3}\right) + k_c \cos\left(\phi_c - \frac{2\pi}{3}\right) \right]$$

$$U_2 \sin(\phi_2) = \frac{U_N}{3} \left[k_a \sin(\phi_a) + k_b \sin\left(\phi_b - \frac{4\pi}{3}\right) + k_c \sin\left(\phi_c - \frac{2\pi}{3}\right) \right]$$

où

k_a est le pourcentage de tension sur la phase a, ϕ_a déphasage de la phase a;

k_b est le pourcentage de tension sur la phase b, ϕ_b déphasage de la phase b;

k_c est le pourcentage de tension sur la phase c, ϕ_c déphasage de la phase c.

$$U_a = k_a U_N \cos(\omega t + \phi_a), \quad U_b = k_b U_N \cos\left(\omega t - \frac{2\pi}{3} + \phi_b\right), \quad U_c = k_c U_N \cos\left(\omega t - \frac{4\pi}{3} + \phi_c\right)$$

Composante directe:

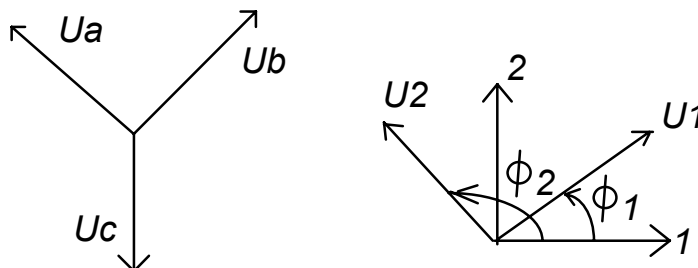
$$U_1 = U_1 \cos(\phi_1) + j U_1 \sin(\phi_1)$$

Composante inverse:

$$U_2 = U_2 \cos(\phi_2) + j U_2 \sin(\phi_2)$$

Déséquilibre k_{u2} :

$$k_{u2} = \frac{|U_2|}{|U_1|} = \frac{\sqrt{(U_2 \cos(\phi_2))^2 + (U_2 \sin(\phi_2))^2}}{\sqrt{(U_1 \cos(\phi_1))^2 + (U_1 \sin(\phi_1))^2}}$$



IEC 1101/2000

NOTE Des compléments d'informations sont disponibles dans l'ouvrage suivant: Wagner, C.F., and Evans R.D.: *Symmetrical components*, Edition R. KRIEGER.

Annexe C (informative)

Informations sur les niveaux d'essai

Les courants déséquilibrés provoqués par des déséquilibres de tension peuvent causer de graves dommages aux équipements électriques.

Un degré relativement important de déséquilibre peut apparaître brièvement, notamment en cas de court-circuit entre deux phases.

Dans un tel cas, le très fort courant passant provoque une importante chute de tension et un déphasage des phases concernées. Cette situation dure jusqu'à l'ouverture du disjoncteur.

La sévérité du court-circuit détermine la sévérité du déséquilibre de tension. La durée du déséquilibre correspond au temps de réaction du disjoncteur qui est inversement proportionnel à l'importance du court-circuit.

L'impédance complexe employée dans la CEI 60725 est $Z_i = 0,24 + j 0,15$ (conducteur de phase). Les caractéristiques du disjoncteur, choisies pour la détermination des niveaux d'essais sont celles du type D, telles que spécifiées dans la CEI 60898.

Annexe D (informative)

Classes d'environnement électromagnétique

Les classes d'environnement électromagnétiques suivantes ont été résumées à partir de la CEI 61000-2-4.

Classe 1

Cette classe s'applique à des alimentations protégées et est caractérisée par des niveaux de compatibilité plus faibles que ceux du réseau public. Elle se rapporte à l'utilisation d'équipements très sensibles aux perturbations de l'alimentation, par exemple les instruments de laboratoire, certains dispositifs d'automatisation et de protection, certains ordinateurs, etc.

NOTE

- La classe 1 d'environnement contient normalement des équipements qui nécessitent une protection par des appareils tels qu'alimentation sans interruption (ASI), filtres ou parasurtenseurs.
- Dans certains cas, des équipements hautement sensibles peuvent nécessiter des niveaux de compatibilité plus bas que ceux de la classe d'environnement 1. Les niveaux de compatibilité sont alors agréés cas par cas.

Classe 2

Cette classe s'applique aux points communs de couplage (PCC pour les réseaux client) et aux points communs de couplage interne (PCI), plus généralement dans des installations industrielles. Les niveaux de compatibilité de cette classe sont identiques à ceux des réseaux publics; ainsi, les composants utilisés pour les applications dans les réseaux publics peuvent être utilisés aussi dans cette classe d'environnement industriel.

Classe 3

Cette classe s'applique uniquement aux PCI dans un environnement industriel. Le niveau de compatibilité y est plus élevé que celui de la classe 2 pour certaines perturbations. Par exemple, cette classe doit être retenue quand au moins l'une des conditions suivantes est rencontrée:

- une part majeure de la charge est alimentée au travers de convertisseurs électroniques;
- des machines de soudage sont présentes;
- des moteurs puissants sont fréquemment démarrés;
- les charges varient rapidement.

NOTE L'alimentation de charges fortement perturbatrices, tels que les fours à arc et les gros convertisseurs de puissance, qui sont généralement alimentés à partir d'un jeu de barre séparé, est souvent caractérisée par un niveau de perturbations dépassant celui de la classe 3 (environnement sévère). Dans de telles situations particulières, il convient que les niveaux de compatibilité soient adaptés en conséquence.

La classe applicable pour des installations nouvelles et l'extension d'installations existantes doit être en rapport avec les types d'appareils et de procédures utilisés.

Bibliographie

CEI 60725, *Considérations sur les impédances de référence à utiliser pour la détermination des caractéristiques de perturbation des appareils électrodomestiques et les équipements analogues*

CEI 60898, *Petit appareillage électrique – Disjoncteurs pour la protection contre les surintensités pour installations domestiques et analogues*

www.intellect.com

.....

INTERNATIONAL
ELECTROTECHNICAL
COMMISSION

3, rue de Varembé
PO Box 131
CH-1211 Geneva 20
Switzerland

Tel: + 41 22 919 02 11
Fax: + 41 22 919 03 00
info@iec.ch
www.iec.ch